

Appendix H: MX⁴ Configurations

Basic: 4 Users and Up to 16 Computers

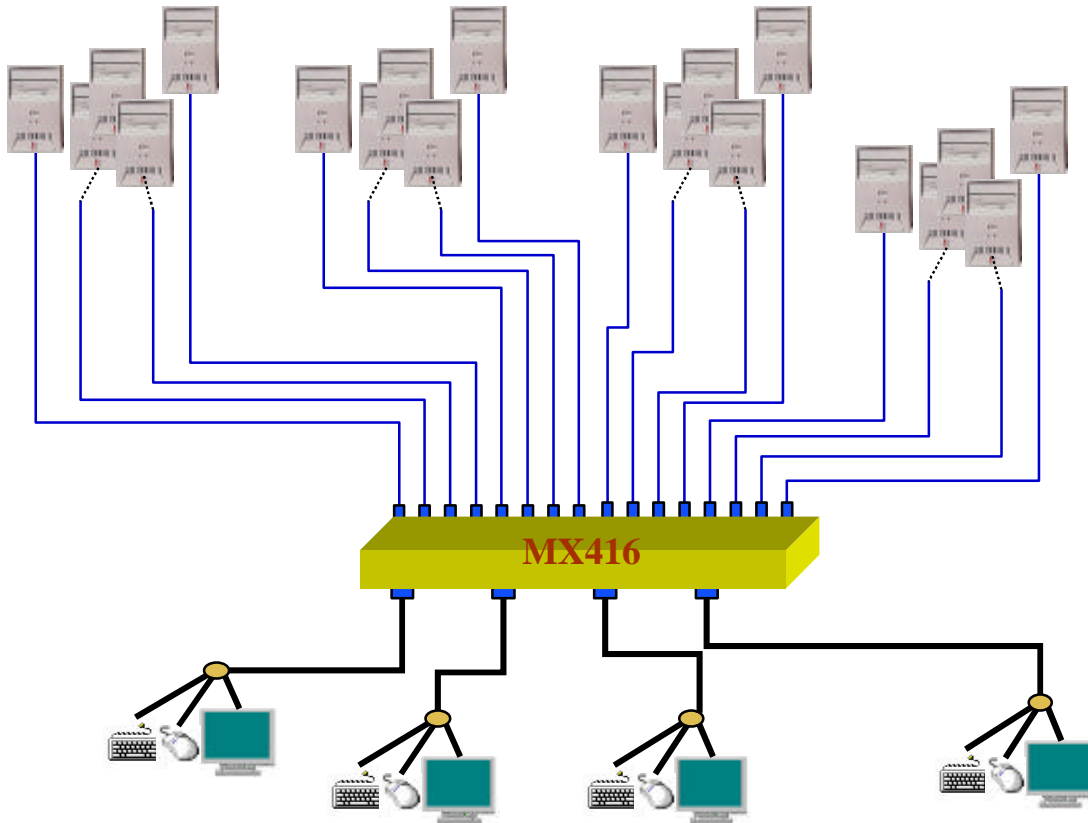


Figure 49 MX⁴ Basic Configuration

4 Users and Up to 64 Computers Matrix

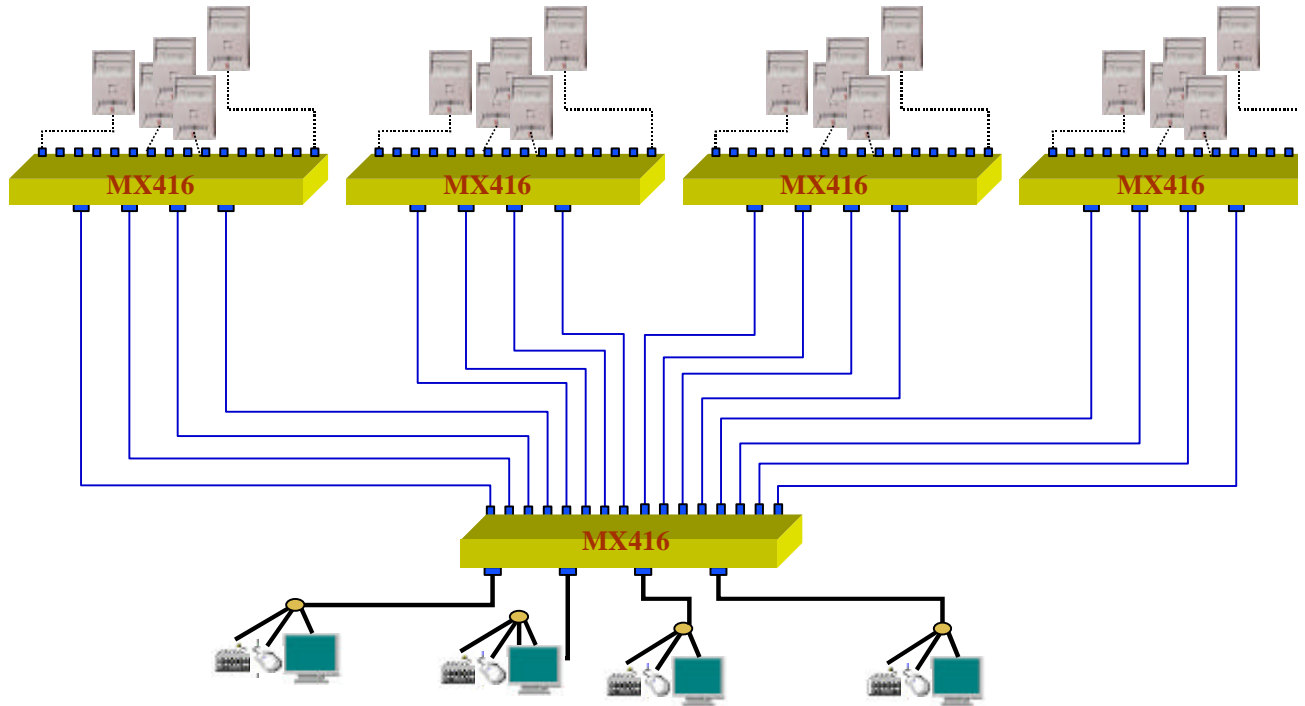


Figure 50 MX⁴ 4x64 Configuration

MX⁴ 4 Users and Up to 256 Computers Matrix

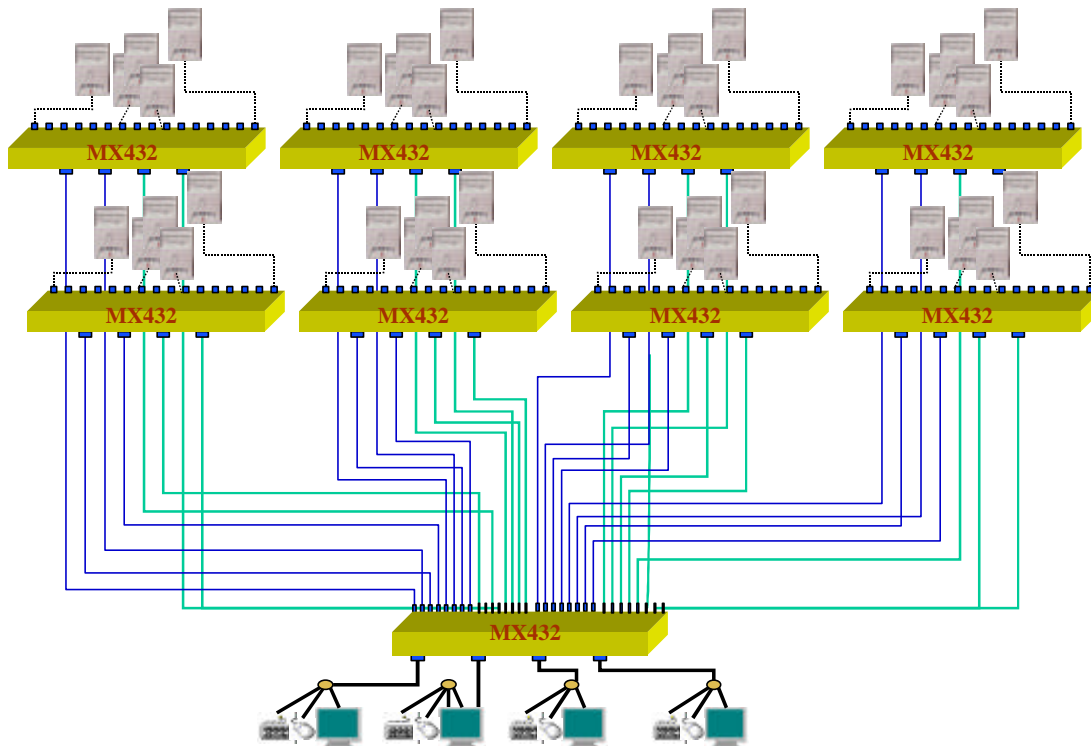


Figure 51 MX⁴ 4x256 Matrix Configuration

This configuration allows 4 users to access 256 computers. In this configuration, all MX⁴ units must be Release 2 or greater.

----- NOTES -----