

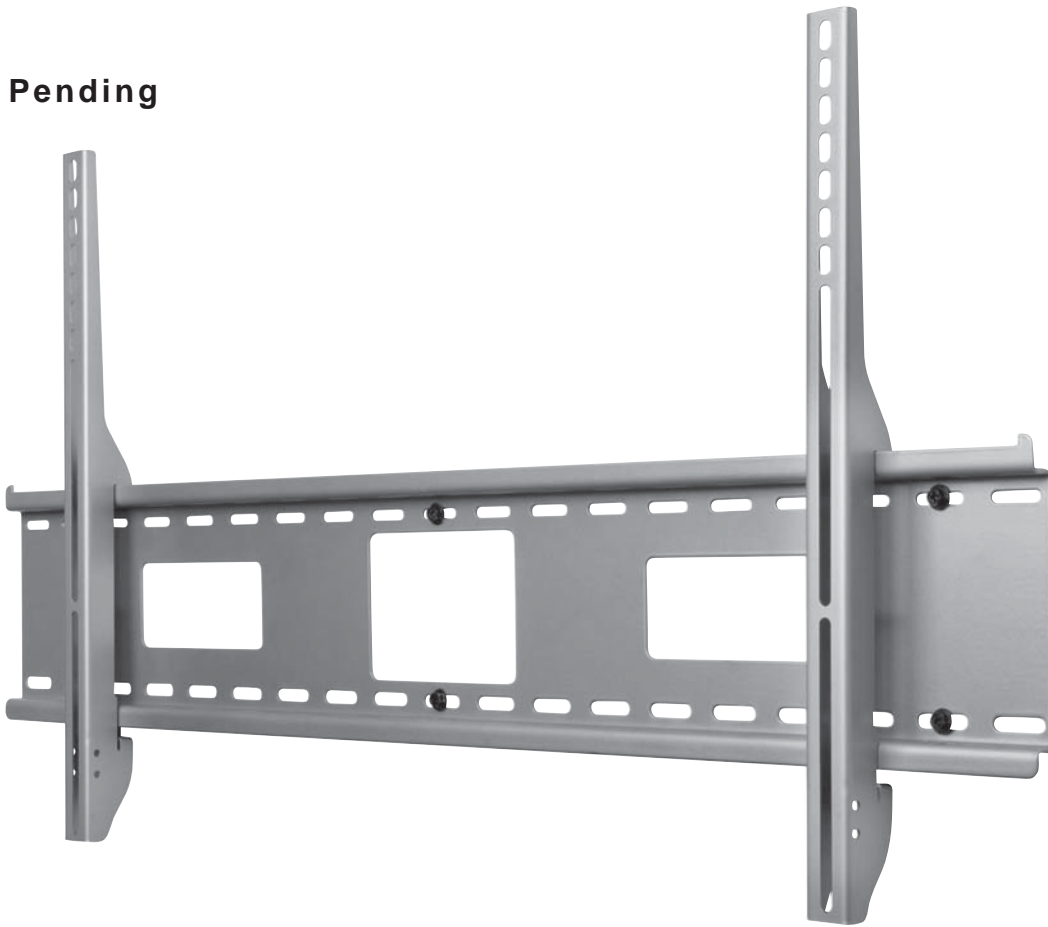
SmartMount™

Universal Flat Wall Mount

For 42" to 71" Plasma and LCD Flat Panel Screens

NEW!

Patent Pending



Ultra-slim design keeps flat panels tight to the wall, giving boardrooms, restaurants and bars or home theaters that pro look. This SmartMount comes with everything you need for a quick and easy install: flat panels engage with an audible click, simple to align universal brackets and an open-design wall plate allows easy access to junction boxes and cable management. Plus, the Peerless Sorted-For-You™ fastener pack eliminates guesswork during installation by making screen attachment hardware easy to find.

- Simple hook-on design makes install a snap
- Horizontal screen adjustment up to 12"
- Junction box access ports on wall plate
- Integrated security options available

**SF670, SF670-S
SF670P, SF670P-S**



SmartMount™

Universal Flat Wall Mount

For 42" to 71" Plasma and LCD Flat Panel Screens

Model Numbers

SF670, SF670-S (Security models)
SF670P, SF670P-S (Standard models)

Product Specifications

- Fits screens with mounting hole patterns up to 35.75" W and 19.80" H
- Ultra-slim design holds screen only 1.98" from the wall
- Easy-glide bracket design ensures screen is securely attached to wall plate
- Horizontal screen adjustment up to 12"
- Mounts to two or three wood studs, concrete, cinder block or metal studs (accessory required)
- Comes with Peerless' Sorted-For-You™ fastener pack with all necessary screen attachment hardware
- UL listed
- Comes in black or silver



Side View

.....
FEATURES

DIMENSIONS (W x H x D) 37.75" x 20.625" x 1.98" (95.9 x 52.4 x 5.03 cm)

LOAD CAPACITY 250 lb (113.4 kg)

PRODUCT WEIGHT 10.4 lb (4.7 kg)

FINISH Scratch Resistant Fused Epoxy

AVAILABLE COLORS Black: SF670, SF670P
Silver: SF670-S, SF670P-S

ACCESSORIES 6 pc. Metal Stud Fastener Kit (ACC615)
Video Conferencing Shelf (ACC309)
Accessory Shelves (PM600, PM610)

PATENT Patent Pending

.....
PACKAGE CONTENTS

Package Specifications

Wall mount, universal brackets and mounting hardware

UNITS IN PACKAGE 1

PACKAGE SIZE (L x W x H) 46.75" x 8.63" x 3.88" (118.7 x 21.9 x 9.9 cm)

PACKAGE SHIP WEIGHT 13.6 lb (6.2 kg)

PACKAGE UPC CODE SF670: 735029242192
SF670P: 735029242208
SF670-S: 735029242215
SF670P-S: 735029242222

WARRANTY Limited 5-year

Peerless Industries, Inc.



LIT-0142 Rev.1

© 2006 Peerless Industries, Inc. All rights reserved.
SmartMount is a trademark and Peerless is a registered trademark of Peerless Industries, Inc.
All other brands, product names and taglines are trademarks or registered trademarks of their respective owners.