

Flat Panel Floor Stand

Patented



Display a flat panel screen in style with the Flat Panel Floor Stand. The sleek and space-saving design is ideal for boardrooms, conference rooms, and executive offices. Designed to support 30" to 42" Plasma and LCD flat panel screens up to 135 lb, it comes with an optional tuner bracket. Internal cord management preserves the clean look of the installation.

- Space-saving tapered pedestal ideal for corners
- Distinctive metal design and silver finish
- Includes height-adjustable tuner bracket

FPFS SLV



Flat Panel Floor Stand

Model Number

FPFS SLV

Product Specifications

- For 30" to 42" flat panel screens with a foot pattern that safely rests within the upper tray dimensions
- Tapered pedestal and tray make the stand ideal for corners
- Complete internal cord management
- Height adjustable tuner bracket (25 lbs. load capacity)
- Upper tray dimensions: 32"W x 22.7"D
- Padded feet to protect floor surface

DIMENSIONS (W x H x D) 32" x 27.6" x 25.9" (81.3 x 70.1 x 65.8 cm)

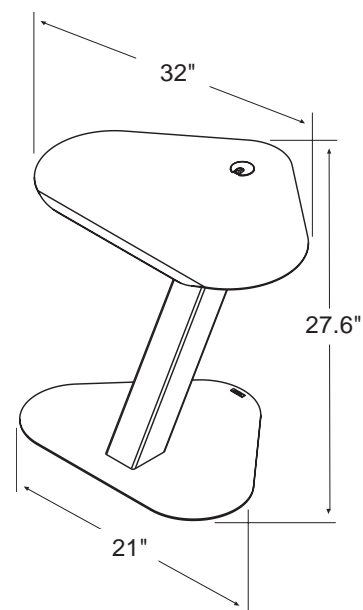
LOAD CAPACITY 135 lb (43 kg) for TV tray
25 lb (11 kg) for tuner bracket

PRODUCT WEIGHT 69.8 lb (31.73 kg)

FINISH Scratch resistant silver fused epoxy

AVAILABLE COLORS Silver

ACCESSORIES A/V equipment shelf. Up to three shelves can be added (ACC 910)



Package Specifications

PACKAGE CONTENTS Upper tray, base, support tube and tuner bracket

UNITS IN PACKAGE 1

PACKAGE SIZE (W x H x L) 33.5" x 26" x 7.5" (85 x 66 x 19 cm)

PACKAGE SHIP WEIGHT 78 lb (35.4 kg)

PACKAGE UPC CODE 735029216124

WARRANTY Limited 5-year

Protected by U.S. patent number D491,747



Peerless Industries, Inc.

© 2005 Peerless Industries, Inc. All rights reserved.
Peerless is a registered trademark of Peerless Industries, Inc.
All other brand and product names are trademarks or registered trademarks of their respective owners.

LIT-0007 rev1