

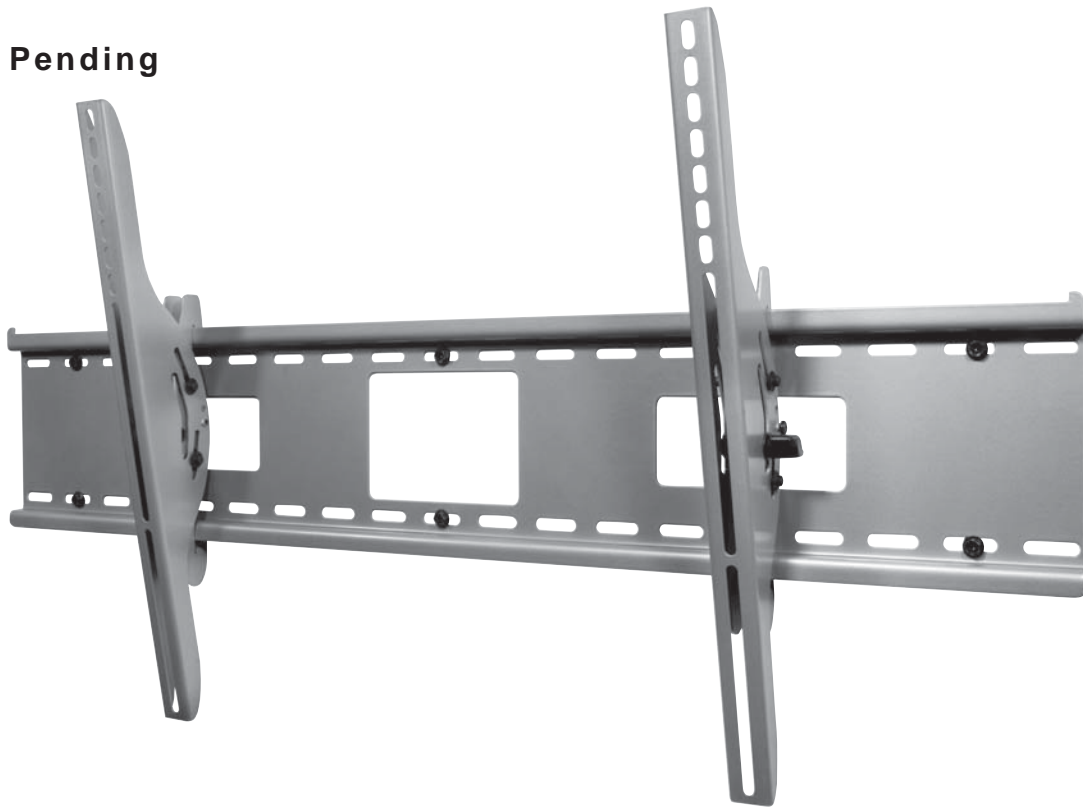
SmartMount™

Universal Tilt Wall Mount

For 42" to 71" Plasma and LCD Flat Panel Screens

NEW!

Patent Pending



Versatile functionality and solid engineering makes this mount an intelligent choice for boardrooms, restaurants and bars or home theaters. SmartMount Universal Tilt Wall Mounts come with everything you need for a quick and easy install: flat panels engage with an audible click, simple to align universal brackets, 15° negative tilt gives unobstructed access to cables and an open-design wall plate allows easy access to junction boxes and cable management. Plus, the Peerless Sorted-For-You™ fastener pack eliminates guesswork during installation by making all the screen attachment hardware easy to find.

- One-touch continuous tilt for effortless adjustment without tools
- Tilt can be locked every 5°
- Horizontal screen adjustment up to 12"
- Simple hook-on design makes install a snap
- Junction box access ports on wall plate
- Integrated security options available

**ST670, ST670-S
ST670P, ST670P-S**



SmartMount™

Universal Tilt Wall Mount

For 42" to 71" Plasma and LCD Flat Panel Screens

Model Numbers

ST670, ST670-S (Security models)
ST670P, ST670P-S (Standard models)

Product Specifications

FEATURES

- Fits screens with mounting hole patterns up to 35.89" W and 19.8" H
- Adjustable 15° of forward tilt, 15° backward tilt
- Self-balancing, one-touch tilt for effortless adjustment
- Optional tilt lock in 5° increments
- Horizontal screen adjustment up to 12"
- Universal brackets easily hook onto the wall plate for fast installation
- Easy-glide bracket design ensures screen is securely attached to wall plate
- Mounts to two or three wood studs, concrete, cinder block or metal studs (accessory required)
- Comes with Peerless' Sorted-For-You™ fastener pack with all necessary screen attachment hardware included
- UL listed
- Comes in black or silver

DIMENSIONS (D x W x H)

3.125" x 37.75" x 20.625" (7.9 x 95.9 x 52.4 cm)

LOAD CAPACITY

250 lb (113.4 kg)

PRODUCT WEIGHT

12.64 lb (5.7 kg)

FINISH

Scratch Resistant Fused Epoxy

AVAILABLE COLORS

Black: ST670, ST670P
Silver: ST670-S, ST670P-S

ACCESSORIES

6 pc. Metal Stud Fastener Kit (ACC615)
Video Conferencing Shelf (ACC309)
Accessory Shelves (PM600, PM610)

PATENT

Patent Pending

Package Specifications

PACKAGE CONTENTS

Wall plate, universal brackets and mounting hardware

UNITS IN PACKAGE

1

PACKAGE SIZE (L x W x H)

46.75" x 8.63" x 3.88" (118.7 x 21.9 x 9.9 cm)

PACKAGE SHIP WEIGHT

14.3 lb (6.5 kg)

PACKAGE UPC CODE

ST670: 735029242277
ST670-S: 735029242284
ST670P: 735029242291
ST670P-S: 735029242307

WARRANTY

Limited 5-year

Peerless Industries, Inc.



Side View



LIT-0140