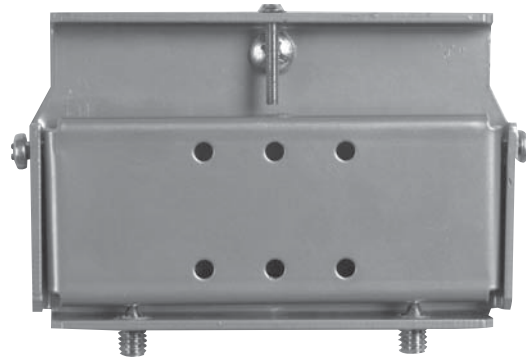


Flat and Tilting Wall Mounts

For Small to Medium Flat Panel Screens



Peerless' Flat and Tilting Wall Mounts support small to medium size flat panel screens ranging from 10" to 39". This line gives you the choice of using flat wall mounts or tilting wall mounts to meet different application needs. The flat wall mounts in the LCF and LCFL series hold the screen flat up against the wall. The tilting wall mounts in the LCW and LCWL series offer 15° of adjustable forward tilt, perfect for environments where a screen is installed higher than eye level. All mounts come with security screws and are fully kitted with the screen adapter plate for ordering convenience.

- Low profile designs support flat screens from 10" to 39"
- Security screws for peace of mind
- Hardware for various wall surfaces

**LCF, LCFL, LCW,
& LCWL models**

Flat and Tilting Wall Mounts

for Small to Medium Flat Panel Screens

Model Numbers

| | |
|--------------------|------------------------------------|
| LCF series | Flat Wall Mount, Small (Silver) |
| LCW series | Tilting Wall Mount, Small (Silver) |
| LCFL series | Flat Wall Mount, Large (Silver) |
| LCWL series | Tilting Wall Mount, Large (Silver) |

Product Specifications

LCF and LCW models:

- For 10" to 22" LCD screens
- Low profile designs
- 15° of adjustable forward tilt (with LCW models only)
- Fully kitted models for VESA® standard and non-VESA screens
- Hardware for installation to wood studs, concrete and metal studs

LCFL and LCWL models:

- For 22" to 39" flat panel screens
- Low profile designs
- 15° of adjustable forward tilt (with LCWL models only)
- Fully kitted models for VESA standard and non-VESA screens
- Hardware for installation to wood studs, concrete and metal studs

LCF & LCW: 25 lbs. (11.3 kg.)
LCFL & LCWL: 50 lbs. (22.7 kg.)

Steel construction

Silver epoxy

- Metal stud wall plates for LCFL and LCWL (if over 25 lbs. load) WSP models

Package Specifications

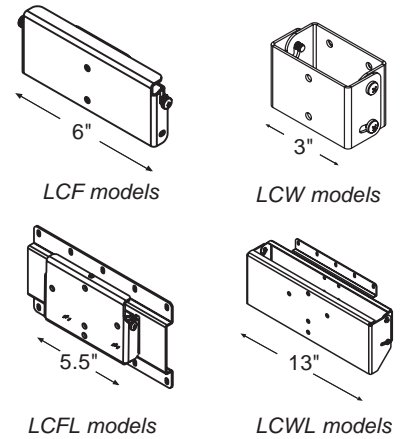
LCF: 7" x 3" x 3" (17.8 x 7.6 x 7.6 cm.)
LCFL: 12.75" x 9.5" x 2.5" (32.4 x 24.1 x 6.4 cm.)
LCW: 8" x 4" x 4" (20.32 x 10.6 x 10.6 cm.)
LCWL: 14.5" x 6.5" x 4" (36.83 x 16.51 x 10.6 cm.)

LCF & LCFL: 1.34 lbs. (0.6 kg.)
LCW: 1.1 lbs. (0.5 kg.)
LCWL: 4.29 lbs. (1.95 kg.)

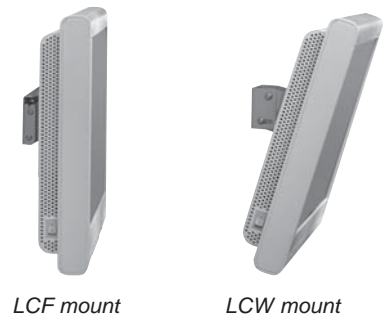
LCF: 1.5 lbs. (0.7 kg.)
LCFL: 2.4 lbs. (1.1 kg.)
LCW: 1.3 lbs. (0.6 kg.)
LCWL: 4.56 lbs. (2.1 kg.)

LCF series: Wall Bracket, Flat Bracket, Adapter Plate
LCFL series: Wall Bracket, Flat Bracket, Adapter Plate
LCW series : Wall Bracket, Tilt Bracket, Adapter Plate
LCWL series: Wall Bracket, Tilt Bracket, Adapter Plate

Peerless Industries, Inc.

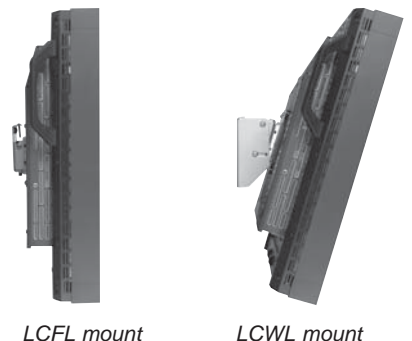


Shown with adapter plate



LCF mount

LCW mount



LCFL mount

LCWL mount



FEATURES

LOAD CAPACITY

MATERIAL

FINISH

ACCESSORIES

CARTON SIZE

PRODUCT WEIGHT

SHIPPING WEIGHT

PRODUCT INCLUDES

LIMITED 5-YR. WARRANTY