

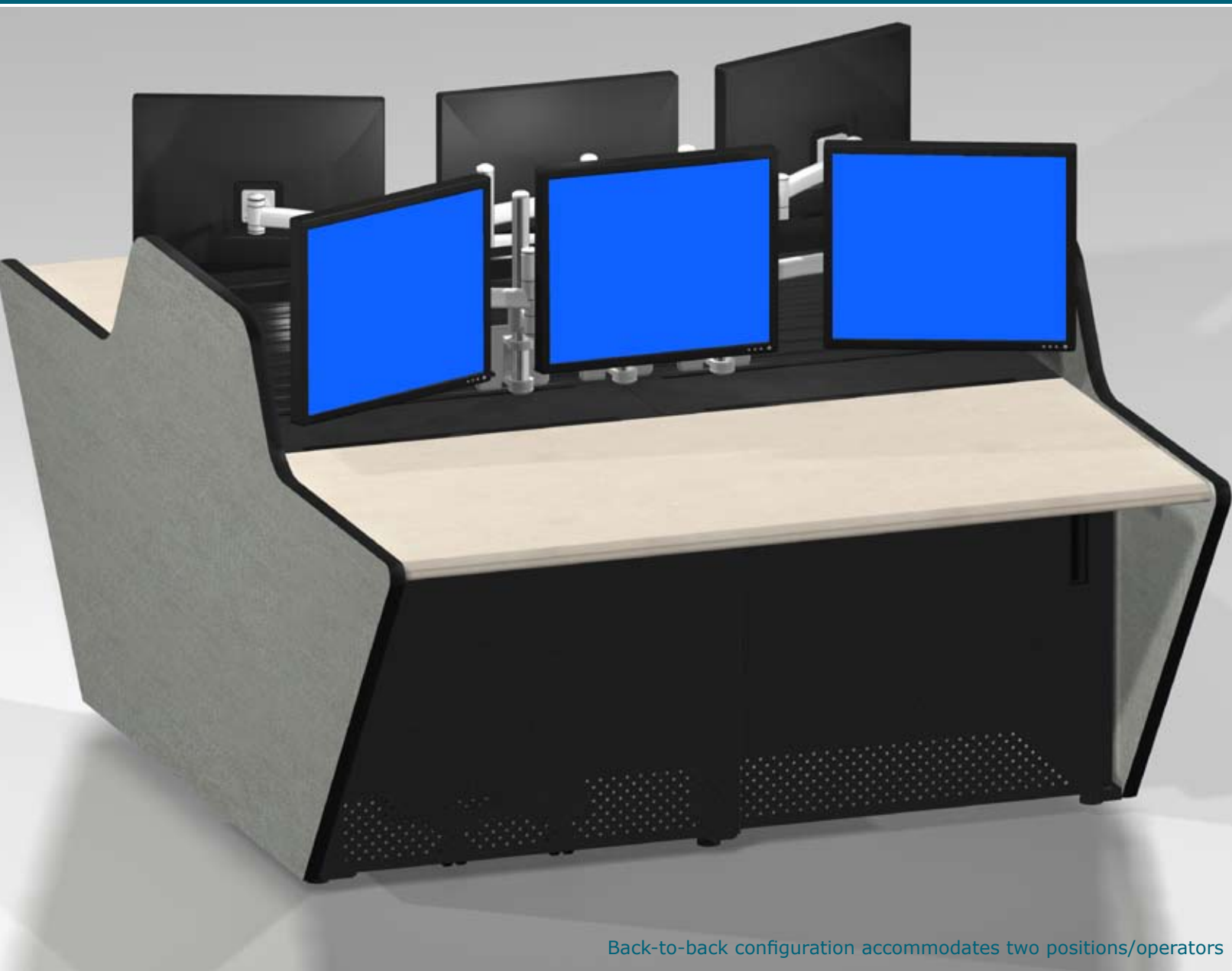


Hi-performance Technical Desking

Metrics™

Metrics™ from Engineered Data Products is a new innovative flat panel display desk line designed for monitoring applications in Call Centers, Help Desk Environments, Trading Floors and even Command & Control rooms.

With a space-efficient footprint, Metrics is adept at integrating an intensive level of computing technology and LCD displays while providing ample desktop space for operators and end-users.



Back-to-back configuration accommodates two positions/operators

Metric modular platform offers operators and users multiple options in the specification and design appearance of a workstation. Modular wall components, ergonomic flat screen arm mounts and CPU storage devices provide cost-effective and technology-intensive workstations that are scalable and adaptable to future system and functional requirements.

A variety of end panel designs beautifully finishes a desk configuration. Optional viewing glass panel offers partial privacy between operators.



Configuration Options



Flat Panel Mounts



Technology Integration

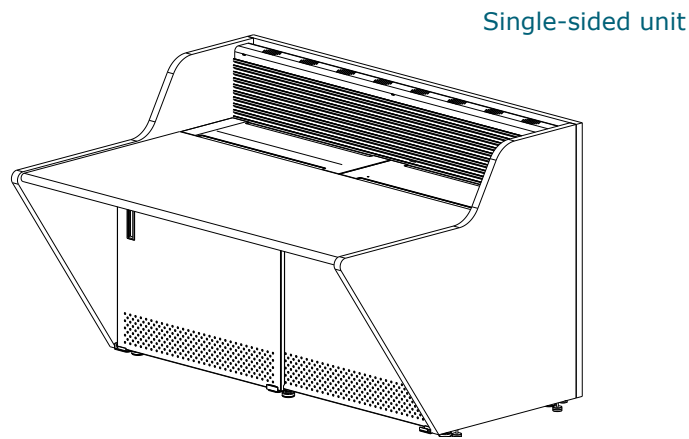


Aesthetic Complements

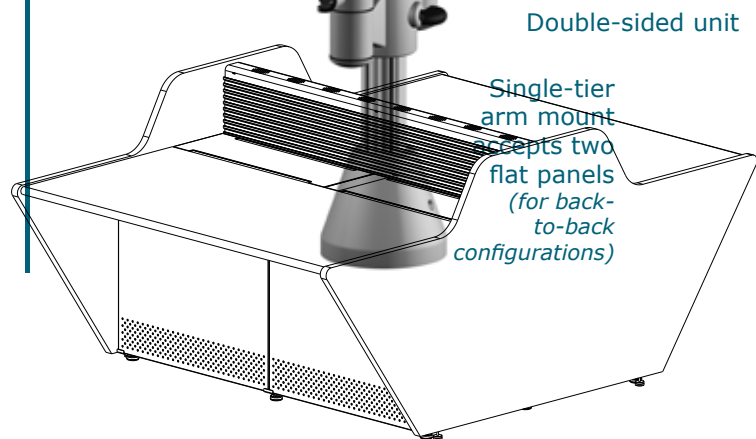
Configuration Options

With footprints common to modular office furniture, a Metrics hi-performance desk is available in single-sided configuration depths (38"/44" - based on 24" and 30" deep desktops, respectively) or double-sided configuration depths (72"/84" - based on 24" and 30" deep desktops, respectively) and widths (48"/60"/72" wide).

To complete a workstation design, determine the style of display and operator privacy; or - specify a "zero" wall configuration or panel arm solutions.



Single-sided unit

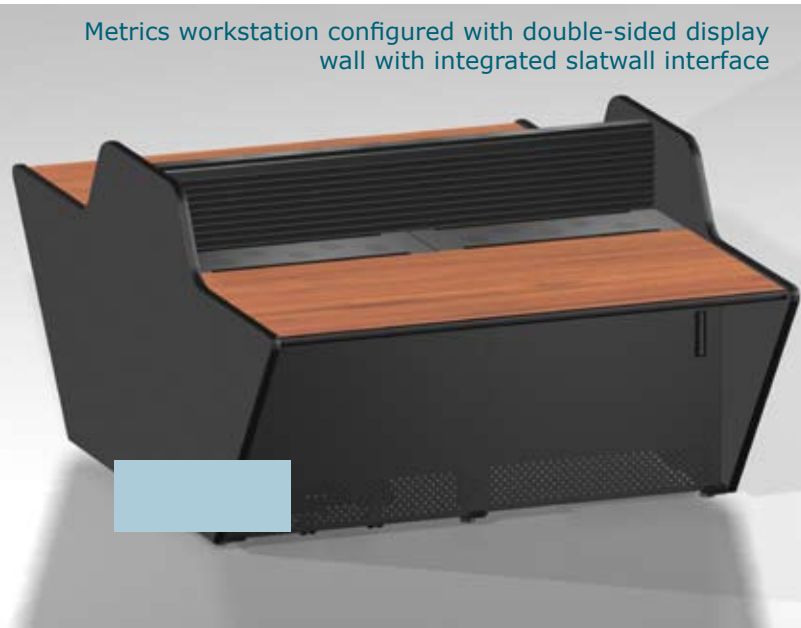


Double-sided unit

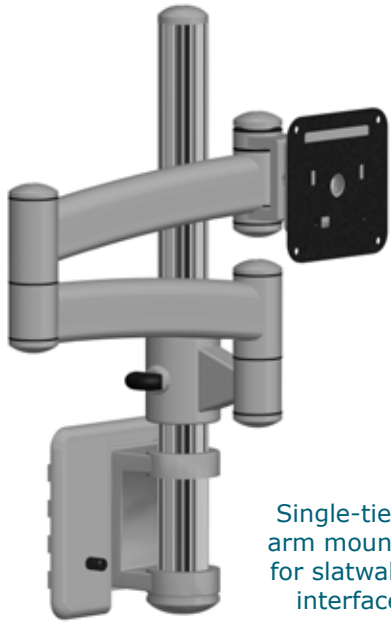
Metrics workstation configured with "zero" wall permitting excellent sightlines for operators



Metrics workstation configured with double-sided display wall with integrated slatwall interface



Flat Panel Mounts



Single-tier arm mount for slatwall interface

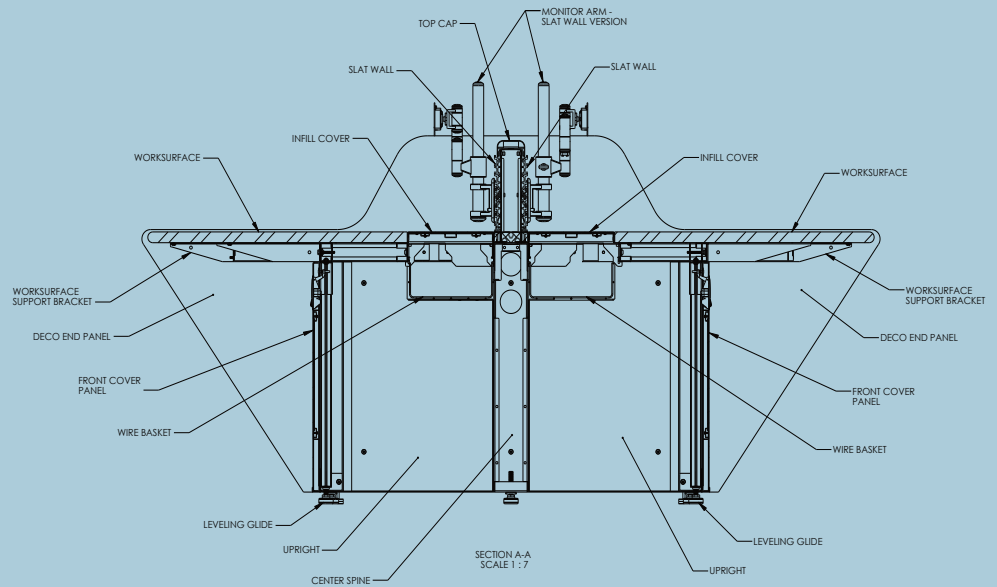


Single-tier arm mount compatible with desktop "T" rail

Engineered Data Products is pleased to introduce ergonomic arm solutions from Humanscale® as hi-density LCD arrays for Metrics.

These arm components allow end-users to precisely position multiple VESA-compatible LCD monitors in parabolic arrays to ideally configure flat panel technology in terms of focal distance, vertical height, tilt and angle.

The Humanscale arm design is attractive and durable - it even offers a "quick release" feature to permit IT personnel to service or replace a monitor on the spot.



Meticulous construction is designed into every Metrics desk.

Technology Integration

Despite a minimal physical footprint, Metrics is specifically engineered to accommodate extensive computer hardware with excellent service accessibility and integrated cable management capacity.

CPU storage is accomplished within the internal cavity of the desk platform that accepts low-profile CPU shelving or mobile CPU dollies. A variety of closure options provide service access to the interior of the desk; select from “quick release” removable doors, sliding doors or swing-out door designs.

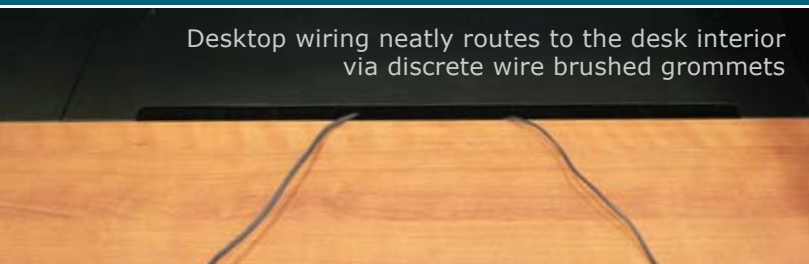


Retractable low-profile CPU shelf



CPU dolly is mobile and easily adjusted to fit common processor sizes

Every Metrics desk includes an integrated hi-capacity lateral cable management grid to accept optional power supplies, computer wiring & cabling from the desktop level or from the floor level.



Desktop wiring neatly routes to the desk interior via discrete wire brushed grommets



Each desk includes a full-width cable tray for wiring and power supplies

Aesthetic Complements

Metrics can be specified with a host of attractive worksurface edge or “nosing” details and decorative laminate finishes from industry-leading suppliers such as WilsonArt®, Nevamar®, Pionite® and Formica®.

Decorative finishing end panels are offered in a variety of styles and complementary edging.

To complete a workstation configuration, specialized fixed and mobile pedestals integrate personal storage without compromising valuable workspace for users.

Compact mobile pedestal for individual and shared storage



Worksurface “Leading Edge” Options



Post-form Edge



Comfort Edge



T-mold Bullnose Edge



T-mold Flat Edge

Note: Adjoining desktops are mated with specialized “tight joint fasteners” to create a virtually seamless surface appearance.

