

## ClearCube Multi-Video Expander

A Component of the ClearCube Multi-Video Solution

The ClearCube Multi-Video eXpander (MVX) is a C/Port accessory that provides a revolutionary way to multi-task and process information. Working in conjunction with the NVIDIA Quadro4 mezzanine video card on the PC Blade, the MVX can independently drive up to four separate displays. Additionally, the MVX can connect to monitors with traditional analog VGA or digital DVI interfaces. The

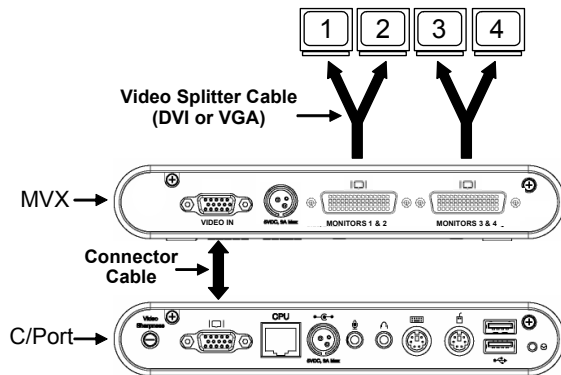


ClearView™ device driver, based on NVIDIA's nView™ software, controls screen setup and configuration. Built-in Clone Mode functionality can replicate a single video image on up to four monitors. All this functionality is delivered to the desktop over a single Category 5 cable. The MVX is designed to work with standard ClearCube Blades, Cages and BackPacks. The exclusive, centralized ClearCube architecture combined with Multi-Video capabilities results in the ideal solution for space constrained trading floors and other applications requiring multiple displays.

### Specifications:

The MVX can be located with the C/Port or mounted separately.

- Video:** Max. Resolution: 1280x1024  
Max. Refresh: 75 Hz  
Digital (DVI) or Analog VGA output  
Dual, Triple or Quad display support  
Integrated Clone Mode functionality (image on monitor 1 replicated on all monitors)
- Connections:** Video Output (LFH-60)  
Video Input from C/Port (DB-15)  
Power Connector 3A, 5VDC
- Dimensions:** 1.3" (H) x 5.1" (D) x 7.7" (W) (3.3 cm x 13.0 cm x 19.6 cm)  
C/Port to MVX connector cable length: 6 ft (1.8 m)  
Video splitter cable length: ~1 foot (0.3 m)
- Weight:** 1 lb. (0.45 kg)
- Power Supply:** Universal 100 - 240 VAC, 47-63 Hz input
- Environment:** Standard office installation, 0-35° C  
Regulatory Compliance: FCC/CSA Class A, UL1950, IEC950, CE  
Under-desk mounting bracket (optional)

**Connection Views:**

**MVX Video Connections**

**Requirements:**

**Hardware:** C/Port at the desktop and a Quadro4 mezzanine video adapter on the PC Blade. The MVX is not compatible with I/Ports.

**Software:** Windows 2000 or Windows XP running on the PC Blade

**Ordering Information**

Use the following part numbers to order your MVX:

G091163 – Model C7530 Multi-Video eXpander (MVX)

**C/Port Connector Cable (Required)**

G061023 –C/Port to MVX connector cable (6 foot/1.8 m)

**Video Output Splitter Cables (Required)**

G061021 – DVI video splitter cable (order one for dual-video, order two for triple or quad-video)

G061022 – VGA video splitter cable (order one for dual-video, order two for triple or quad-video)

**Power Brick (Required)**

G081018 – North American Power Brick and Cord

G081019 – United Kingdom/Hong Kong Power Brick and Cord

G081071 – Old United Kingdom Power Brick and Cord

G081025 – European Power Brick and Cord

G081020 – Japanese Power Brick and Cord

G081065 – Australian Power Brick and Cord

**Blade Video Adapter Cards (Required for Blade Upgrades Only)**

G010078 – NVIDIA Quadro4 PCI-Express x16 mezzanine video adapter for Model R1300 PC Blade

**Accessories (Optional)**

G071072 – Under-desk Mounting Bracket

**Extended Warranty (Optional)**

G091128 – Multi-Video eXpander 3 Yr. Warranty